

# FLUX 'RFM 10' Diaphragm Pumps, 30 lpm

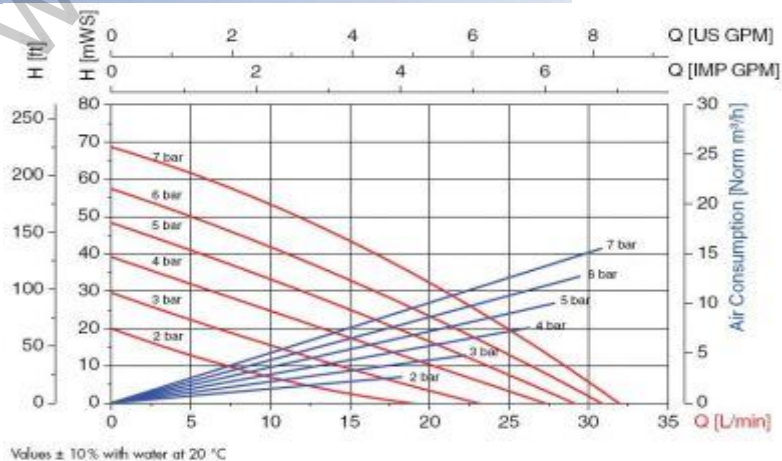
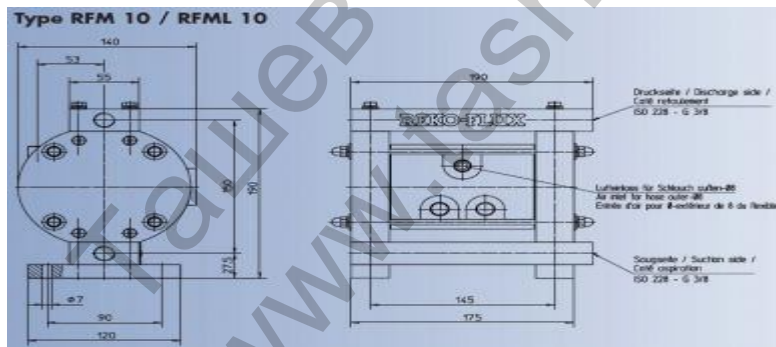


## Performance

Operating Pressure 7 Bar  
 Suction Head (Dry) 2-3 m  
 Suction Head (wet) 8 m  
 Max Particle Size 4 mm

## Connections

Pump Suction Side 3/8" BSP Female  
 Pump Delivery Side 3/8" BSP Female  
 Air Inlet 1/8" BSP Female  
 Air Outlet 1/8" BSP Female



Values  $\pm 10\%$  with water at 20 °C